



Visit our web site: www.bmil.com

PRODUCT DATA MANUAL



Medium and Low Temperature

60HZ

NOMENCLATURE

OCZ-XXX-1S41-5-FV-MT

OCZ-XXX-1T41-5-FV-LT

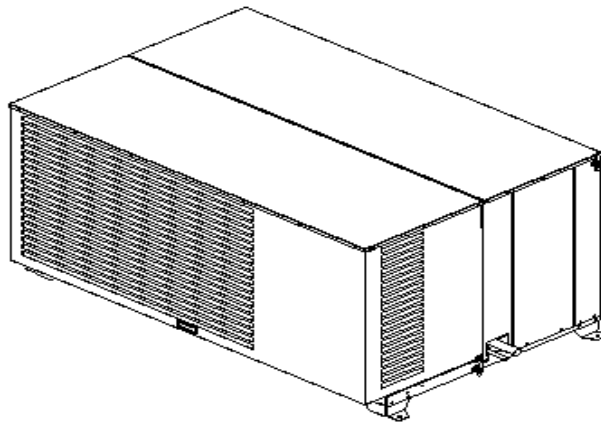


TABLE OF CONTENTS

	Page
Capacity Data	2-6
Dimensional Data	7
Specifications	8
Electrical Data	9
Typical Piping diagram	10-11
Unit Spacing Diagram	12

FRIO VERDE

60HZ

MEDIUM TEMPERATURE CAPACITY BTU/H R404A/R410A

FRIO VERDE MODEL	SST (F °)	SST (C °)	AMBIENT TEMPERATURE (Deg F)			
			85	90	95	100
OCZ-020-1S41-5-FV-MT Main Compressor ZB19KCE Subcool Compressor RGA5510BXD	35	1.7	40330	39473	38618	37727
	30	-1.1	37060	36302	35512	34702
	25	-3.9	33997	33301	32587	31851
	20	-6.7	31106	30481	29837	29169
	15	-9.4	28396	27836	27255	26639
	10	-12.2	25858	25357	24825	24276
	5	-15.0	23484	23038	22550	22044
OCZ-025-1S41-5-FV-MT Main Compressor ZB21KCE Subcool Compressor RGA5510BXD	35	1.7	47427	46386	45306	44206
	30	-1.1	43606	42648	41691	40692
	25	-3.9	40010	39148	38266	37360
	20	-6.7	36615	35842	35046	34225
	15	-9.4	33446	32754	32024	31280
	10	-12.2	30464	29847	29190	28504
	5	-15.0	27676	27125	26536	25914
OCZ-030-1S41-5-FV-MT Main Compressor ZB26KCE Subcool Compressor RGA5510BXD	35	1.7	54321	53077	51811	50493
	30	-1.1	49949	48829	47662	46467
	25	-3.9	45851	44824	43772	42690
	20	-6.7	41977	41056	40108	39111
	15	-9.4	38339	37515	36646	35761
	10	-12.2	34931	34180	33413	32598
	5	-15.0	31728	31070	30381	29644
OCZ-040-1S41-5-FV-MT Main Compressor ZB30KCE Subcool Compressor RGA5512BXD	35	1.7	62297	60839	59325	57812
	30	-1.1	57315	56001	54634	53236
	25	-3.9	52614	51434	50201	48912
	20	-6.7	48188	47108	45998	44853
	15	-9.4	44027	43061	42062	41009
	10	-12.2	40124	39260	38346	37411
	5	-15.0	36453	35682	34876	34017
OCZ-050-1S41-5-FV-MT Main Compressor ZB38KCE Subcool Compressor ZP20K5E	35	1.7	80721	79006	77258	75473
	30	-1.1	74232	72687	71108	69448
	25	-3.9	68125	66736	65310	63813
	20	-6.7	62385	61115	59830	58473
	15	-9.4	56978	55863	54683	53454
	10	-12.2	51913	50916	49834	48740
	5	-15.0	47172	46264	45308	44279
OCZ-060-1S41-5-FV-MT Main Compressor ZB45KCE Subcool Compressor ZP25K5E	35	1.7	96416	94423	92437	90366
	30	-1.1	88662	86864	85027	83143
	25	-3.9	81359	79741	78079	76334
	20	-6.7	74492	73010	71509	69924
	15	-9.4	68020	66692	65339	63874
	10	-12.2	61957	60770	59504	58199
	5	-15.0	56284	55204	54066	52860

FRIO VERDE

60HZ

MEDIUM TEMPERATURE CAPACITY BTU/H R404A/R410A

FRIO VERDE MODEL	SST (F °)	SST (C °)	AMBIENT TEMPERATURE (Deg F)			
			85	90	95	100
OCZ-070-1S41-5-FV-MT Main Compressor ZB50KCE Subcool Compressor ZP25K5E	35	1.7	111920	109802	107600	105329
	30	-1.1	102849	100962	99002	96934
	25	-3.9	94411	92729	90933	88985
	20	-6.7	86538	84983	83270	81358
	15	-9.4	79108	77599	75884	73984
	10	-12.2	71988	70469	68694	66669
	5	-15.0	65067	63443	61530	59300
OCZ-075-1S41-5-FV-MT Main Compressor ZB58KCE Subcool Compressor ZP25K5E	35	1.7	122342	119867	117325	114691
	30	-1.1	112352	110170	107901	105468
	25	-3.9	103061	101122	99030	96849
	20	-6.7	94399	92612	90694	88659
	15	-9.4	86252	84646	82851	80907
	10	-12.2	78615	77066	75370	73463
	5	-15.0	71362	69853	68192	66292
OCZ-080-1S41-5-FV-MT Main Compressor ZB66KCE Subcool Compressor ZP31K5E	35	1.7	140017	136858	133727	130458
	30	-1.1	128654	125936	123046	120145
	25	-3.9	118062	115574	113074	110452
	20	-6.7	108049	105912	103662	101338
	15	-9.4	98726	96811	94826	92720
	10	-12.2	89961	88277	86482	84602
	5	-15.0	81749	80227	78624	76931
OCZ-090-1S41-5-FV-MT Main Compressor ZB76KCE Subcool Compressor ZP42K5E	35	1.7	167634	164253	160733	157153
	30	-1.1	153977	150918	147802	144570
	25	-3.9	141141	138447	135708	132870
	20	-6.7	129206	126800	124358	121834
	15	-9.4	118018	115931	113771	111594
	10	-12.2	107543	105747	103856	102000
	5	-15.0	97810	96246	94607	93010
OCZ-120-1S41-5-FV-MT Main Compressor ZB92KCE Subcool Compressor ZP42K5E	35	1.7	195121	190914	186525	181971
	30	-1.1	179121	175487	171757	167776
	25	-3.9	164313	161197	157978	154584
	20	-6.7	150548	147952	145186	142237
	15	-9.4	137752	135600	133281	130715
	10	-12.2	125941	124058	122106	119908
	5	-15.0	114900	113319	111612	109656

FRIO VERDE

60HZ

LOW TEMPERATURE CAPACITY BTU/H R404A/R410A

FRIO VERDE MODEL	SST (F °)	SST (C °)	AMBIENT TEMPERATURE (Deg F)			
			85	90	95	100
OCZ-020-1T41-5-FV-LT Main Compressor ZF08K4E Subcool Compressor RGA5453BXD	0	-17.8	20368	19976	19553	19113
	-5	-20.6	18515	18171	17806	17418
	-10	-23.3	16792	16499	16179	15844
	-15	-26.1	15192	14937	14663	14370
	-20	-28.9	13701	13484	13246	12994
	-25	-31.7	12322	12137	11928	11707
	-30	-34.4	11040	10873	10701	10505
	-35	-37.2			9547	9375
	-40	-40			8428	8218
OCZ-025-1T41-5-FV-LT Main Compressor ZF09K4E Subcool Compressor RGA5453BXD	0	-17.8	22294	21829	21347	20848
	-5	-20.6	20288	19889	19466	19027
	-10	-23.3	18425	18078	17716	17339
	-15	-26.1	16693	16400	16086	15758
	-20	-28.9	15082	14830	14566	14287
	-25	-31.7	13580	13369	13141	12900
	-30	-34.4	12174	11998	11802	11597
	-35	-37.2		10703	10540	10366
	-40	-40			9340	9184
OCZ-030-1T41-5-FV-LT Main Compressor ZF11K4E Subcool Compressor RGA5453BXD	0	-17.8	27124	26524	25902	25230
	-5	-20.6	24659	24148	23594	23004
	-10	-23.3	22372	21921	21440	20923
	-15	-26.1	20250	19856	19439	18988
	-20	-28.9	18267	17930	17571	17173
	-25	-31.7	16429	16142	15828	15488
	-30	-34.4	14716	14473	14203	13909
	-35	-37.2	13119	12912	12680	12419
	-40	-40	11634	11452	11255	11026
OCZ-035-1T41-5-FV-LT Main Compressor ZF13K4E Subcool Compressor RGA5453BXD	0	-17.8	30866	30090	29291	28454
	-5	-20.6	28051	27355	26641	25881
	-10	-23.3	25404	24787	24144	23476
	-15	-26.1	22933	22393	21833	21244
	-20	-28.9	20618	20154	19668	19170
	-25	-31.7	18463	18068	17666	17259
	-30	-34.4	16460	16141	15811	15489
	-35	-37.2	14595	14348	14104	13866
	-40	-40	12872	12695	12529	12383

FRIO VERDE

60HZ

LOW TEMPERATURE CAPACITY BTU/H R404A/R410A

FRIO VERDE MODEL	SST (F °)	SST (C °)	AMBIENT TEMPERATURE (Deg F)			
			85	90	95	100
OCZ-040-1T41-5-FV-LT Main Compressor ZF15K4E Subcool Compressor RGA5471BXD	0	-17.8	38230	37332	36397	35422
	-5	-20.6	34745	33968	33141	32292
	-10	-23.3	31522	30841	30128	29379
	-15	-26.1	28517	27937	27326	26669
	-20	-28.9	25742	25240	24709	24148
	-25	-31.7	23167	22744	22286	21808
	-30	-34.4	20776	20420	20034	19621
	-35	-37.2	18550	18252	17918	17575
	-40	-40		16224	15941	15642
OCZ-050-1T41-5-FV-LT Main Compressor ZF18K4E Subcool Compressor RGA5510BXD	0	-17.8	46784	45800	44787	43721
	-5	-20.6	42561	41724	40842	39931
	-10	-23.3	38644	37924	37180	36411
	-15	-26.1	35008	34409	33777	33122
	-20	-28.9	31626	31137	30605	30068
	-25	-31.7	28483	28078	27649	27194
	-30	-34.4	25536	25205	24856	24503
	-35	-37.2	22763	22505	22223	21933
	-40	-40		19929	19711	19488
OCZ-070-1T41-5-FV-LT Main Compressor ZF24K4E Subcool Compressor RGA5510BXD	0	-17.8	55853	54663	53385	52064
	-5	-20.6	50754	49745	48654	47499
	-10	-23.3	46031	45162	44240	43235
	-15	-26.1	41633	40891	40098	39246
	-20	-28.9	37536	36919	36256	35521
	-25	-31.7	33724	33200	32631	32025
	-30	-34.4	30152	29714	29235	28708
	-35	-37.2	26797	26435	26015	25559
	-40	-40	23641	23312	22939	22533
OCZ-090-1T41-5-FV-LT Main Compressor ZF33K4E Subcool Compressor RGA5512BXD	0	-17.8	76606	74775	72897	70888
	-5	-20.6	69703	68125	66467	64722
	-10	-23.3	63261	61908	60453	58945
	-15	-26.1	57269	56089	54842	53519
	-20	-28.9	51655	50651	49586	48450
	-25	-31.7	46399	45545	44616	43642
	-30	-34.4	41452	40705	39924	39067
	-35	-37.2	36764	36129	35435	34689
	-40	-40	32306	31740	31123	30458

FRIO VERDE

60HZ

LOW TEMPERATURE CAPACITY BTU/H R404A/R410A

FRIO VERDE MODEL	SST (F °)	SST (C °)	AMBIENT TEMPERATURE (Deg F)			
			85	90	95	100
OCZ-100-1T41-5-FV-LT Main Compressor ZF40K4E Subcool Compressor ZP20K5E	0	-17.8	97879	95817	93670	91422
	-5	-20.6	89213	87469	85601	83672
	-10	-23.3	81160	79662	78080	76398
	-15	-26.1	73662	72382	71047	69583
	-20	-28.9	66659	65592	64440	63189
	-25	-31.7	60109	59216	58216	57139
	-30	-34.4	53915	53158	52295	51351
	-35	-37.2	48058	47379	46613	45743
	-40	-40		41788	41075	40272
OCZ-150-1T41-5-FV-LT Main Compressor ZF48K4E Subcool Compressor ZP20K5E	0	-17.8	117032	114470	111797	108996
	-5	-20.6	106476	104266	101899	99456
	-10	-23.3	96661	94723	92680	90513
	-15	-26.1	87465	85810	84052	82174
	-20	-28.9	78965	77524	76016	74357
	-25	-31.7	71016	69818	68495	67055
	-30	-34.4	63665	62618	61476	60220
	-35	-37.2	56809	55904	54886	53777
	-40	-40	50423	49625	48719	47721

FRIO VERDE

60HZ

DIMENSIONAL DATA (OUTDOOR DIMENSIONS)

FRIO VERDE MODEL	WIDTH		DEPTH		HEIGHT		SHIPPING WEIGHT	
	Inches	mm	Inches	mm	Inches	mm	Lbs	Kgs
OCZ-020-1S41-5-FV-MT	43 1/4	1099	41 1/8	1045	40 5/8	1031.875	382	173
OCZ-025-1S41-5-FV-MT	43 1/4	1099	41 1/8	1045	40 5/8	1031.875	405	183
OCZ-030-1S41-5-FV-MT	43 1/4	1099	41 1/8	1045	40 5/8	1031.875	429	194
OCZ-040-1S41-5-FV-MT	46 1/4	1175	47 1/8	1197	40 1/2	1028.7	484	219
OCZ-050-1S41-5-FV-MT	66 1/4	1683	47 1/8	1197	40 1/2	1028.7	553	251
OCZ-060-1S41-5-FV-MT	66 1/4	1683	47 1/8	1197	40 1/2	1028.7	576	261
OCZ-070-1S41-5-FV-MT	66 1/4	1683	47 1/8	1197	40 1/2	1028.7	747	338
OCZ-075-1S41-5-FV-MT	87 1/4	2216	48 5/8	1235	45 1/2	1156	875	396
OCZ-080-1S41-5-FV-MT	87 1/4	2216	48 5/8	1235	45 1/2	1156	880	399
OCZ-090-1S41-5-FV-MT	87 1/4	2216	48 5/8	1235	45 1/2	1156	895	405
OCZ-120-1S41-5-FV-MT	87 1/4	2216	48 5/8	1235	45 1/2	1156	1117	506
OCZ-020-1T41-5-FV-LT	43 1/4	1099	41 1/8	1045	40 5/8	1032	382	173
OCZ-025-1T41-5-FV-LT	43 1/4	1099	41 1/8	1045	40 5/8	1032	405	183
OCZ-030-1T41-5-FV-LT	43 1/4	1099	41 1/8	1045	40 5/8	1032	429	194
OCZ-035-1T41-5-FV-LT	43 1/4	1099	41 1/8	1045	40 5/8	1032	462	209
OCZ-040-1T41-5-FV-LT	43 1/4	1099	41 1/8	1045	40 5/8	1032	484	219
OCZ-050-1T41-5-FV-LT	46 1/4	1175	47 1/8	1197	40 1/2	1029	553	251
OCZ-070-1T41-5-FV-LT	66 1/4	1683	47 1/8	1197	40 1/2	1029	747	338
OCZ-090-1T41-5-FV-LT	66 1/4	1683	47 1/8	1197	40 1/2	1029	895	405
OCZ-100-1T41-5-FV-LT	87 1/4	2216	48 5/8	1235	45 1/2	1156	985	446
OCZ-150-1T41-5-FV-LT	87 1/4	2216	48 5/8	1235	45 1/2	1156	1117	506

FRIO VERDE

60HZ

SPECIFICATIONS

FRIO VERDE MODEL	UNIT CONNECTIONS				LINE SIZING (100 FT)				PIPE INSULATION		RECEIVER REFRIGERANT			
	SUCTION (OD)		LIQUID (OD)		SUCTION (OD)		LIQUID (OD)		THICKNESS		STANDARD		OVERSIZED	
	Inches	mm	Inches	mm	Inches	mm	Inches	mm	SUCTION	LIQUID	Lbs	Kgs	Lbs.	Kgs.
OCZ-020-1S41-5-FV-MT	5/8	16	3/8	10	7/8	22	1/2	13	1	1	14	6	19	9
OCZ-025-1S41-5-FV-MT	7/8	22	3/8	10	1 1/8	29	1/2	13	1	1	14	6	19	9
OCZ-030-1S41-5-FV-MT	7/8	22	1/2	13	1 1/8	29	1/2	13	1	1	14	6	19	9
OCZ-040-1S41-5-FV-MT	7/8	22	1/2	13	1 1/8	29	5/8	16	1	1	24	11	51	23
OCZ-050-1S41-5-FV-MT	7/8	22	1/2	13	1 1/8	29	5/8	16	1	1	24	11	51	23
OCZ-060-1S41-5-FV-MT	1 1/8	29	5/8	16	1 1/8	29	5/8	16	1	1	24	11	51	23
OCZ-070-1S41-5-FV-MT	1 1/8	29	5/8	16	1 3/8	35	5/8	16	1	1	24	11	51	23
OCZ-075-1S41-5-FV-MT	1 1/8	29	5/8	16	1 3/8	35	7/8	22	1	1	51	23	68	31
OCZ-080-1S41-5-FV-MT	1 3/8	35	5/8	16	1 3/8	35	7/8	22	1	1	51	23	68	31
OCZ-090-1S41-5-FV-MT	1 3/8	35	5/8	16	1 3/8	35	7/8	22	1	1	51	23	68	31
OCZ-120-1S41-5-FV-MT	1 5/8	41	7/8	22	1 5/8	41	7/8	22	1	1	51	23	68	31
OCZ-020-1T41-5-FV-LT	5/8	16	3/8	10	7/8	22	1/2	13	1	1	14	6	19	9
OCZ-025-1T41-5-FV-LT	7/8	22	3/8	10	1 1/8	29	1/2	13	1	1	14	6	19	9
OCZ-030-1T41-5-FV-LT	7/8	22	1/2	13	1 1/8	29	1/2	13	1	1	14	6	19	9
OCZ-035-1T41-5-FV-LT	7/8	22	1/2	13	1 1/8	29	1/2	13	1	1	24	11	51	23
OCZ-040-1T41-5-FV-LT	7/8	22	1/2	13	1 1/8	29	1/2	13	1	1	24	11	51	23
OCZ-050-1T41-5-FV-LT	7/8	22	1/2	13	1 3/8	35	1/2	13	1	1	24	11	51	23
OCZ-070-1T41-5-FV-LT	1 3/8	35	5/8	16	1 3/8	35	5/8	16	1	1	24	11	51	23
OCZ-090-1T41-5-FV-LT	1 3/8	35	5/8	16	1 5/8	41	5/8	16	1	1	51	23	68	31
OCZ-100-1T41-5-FV-LT	1 5/8	41	7/8	22	1 5/8	41	7/8	22	1	1	51	23	68	31
OCZ-150-1T41-5-FV-LT	1 5/8	41	7/8	22	2 1/8	54	7/8	22	1	1	68	31	125	57

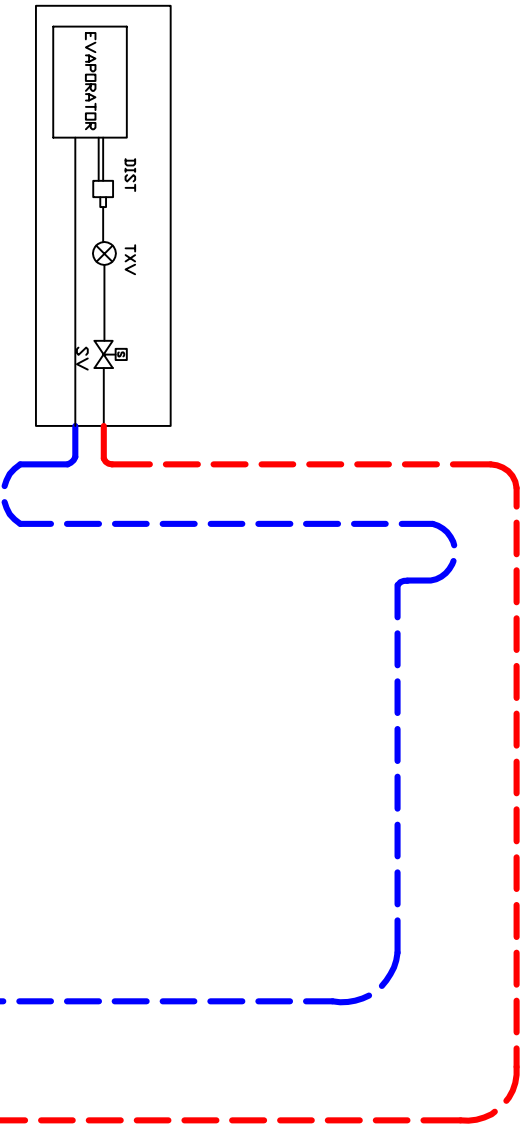
FRIO VERDE

60HZ

ELECTRICAL DATA

OUTDOOR AIR COOLED CONDENSER CONDENSING UNIT R-404A COPELAND SCROLL COMPRESSOR

FRIO VERDE MODEL	MAIN COMPRESSOR	SUBCOOL COMPRESSOR	POWER SUPPLY	RLA	LRA	MCA	MOPD
				208/3/60	208/3/60	208/3/60	208/3/60
OCZ-020-1S41-5-FV-MT	ZB19KCE	RGA5510	208-230/3/60	10.0	63.0	21.0	31.0
OCZ-025-1S41-5-FV-MT	ZB21KCE	RGA5510	208-230/3/60	12.1	77.0	23.6	35.7
OCZ-030-1S41-5-FV-MT	ZB26KCE	RGA5510	208-230/3/60	13.2	88.0	25.0	38.2
OCZ-040-1S41-5-FV-MT	ZB30KCE	RGA5512	208-230/3/60	15.7	115.0	28.1	43.8
OCZ-050-1S41-5-FV-MT	ZB38KCE	ZP20K5E	208-230/3/60	22.1	128.0	45.5	67.6
OCZ-060-1S41-5-FV-MT	ZB45KCE	ZP25K5E	208-230/3/60	22.5	156.0	40.9	63.4
OCZ-070-1S41-5-FV-MT	ZB50KCE	ZP25K5E	208-230/3/60	28.6	196.0	51.5	80.1
OCZ-075-1S41-5-FV-MT	ZB58KCE	ZP25K5E	208-230/3/60	30.7	195.0	54.1	84.8
OCZ-080-1S41-5-FV-MT	ZB66KCE	ZP31K5E	208-230/3/60	30.0	225.0	54.9	84.9
OCZ-090-1S41-5-FV-MT	ZB76KCE	ZP42K5E	208-230/3/60	41.4	239.0	75.8	117.2
OCZ-120-1S41-5-FV-MT	ZB92KCE	ZP42K5E	208-230/3/60	52.9	350.0	90.1	143.0
OCZ-020-1T41-5-FV-LT	ZF08K4E	RGA5453	208-230/3/60	9.6	63.0	17.4	27.0
OCZ-025-1T41-5-FV-LT	ZF09K4E	RGA5453	208-230/3/60	9.6	77.0	17.4	27.0
OCZ-030-1T41-5-FV-LT	ZF11K4E	RGA5453	208-230/3/60	12.1	88.0	20.5	32.6
OCZ-035-1T41-5-FV-LT	ZF13K4E	RGA5453	208-230/3/60	13.2	99.0	21.9	35.1
OCZ-040-1T41-5-FV-LT	ZF15K4E	RGA5471	208-230/3/60	18.9	123.0	29.9	48.8
OCZ-050-1T41-5-FV-LT	ZF18K4E	RGA5510	208-230/3/60	21.8	156.0	35.8	57.6
OCZ-070-1T41-5-FV-LT	ZF24K4E	RGA5510	208-230/3/60	26.1	189.0	44.0	70.1
OCZ-090-1T41-5-FV-LT	ZF33K4E	RGA5512	208-230/3/60	35.0	278.0	55.2	90.2
OCZ-100-1T41-5-FV-LT	ZF40K4E	ZP20K5E	208-230/3/60	45.0	350.0	80.0	125.0
OCZ-150-1T41-5-FV-LT	ZF48K4E	ZP20K5E	208-230/3/60	55.0	425.0	92.5	147.5



NOTES

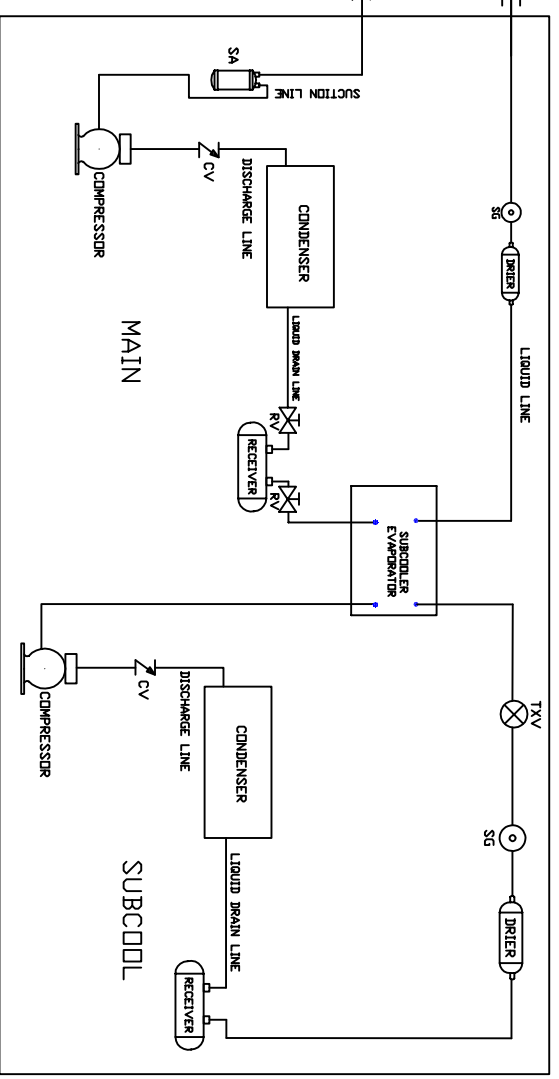
- All 90° Long Radius
- ACR Tubing
- All welding 15% Silver Solder

DRAWING LEGEND

- DIST: Distributor
 TXV: Thermostatic expansion valve
 SG: Sight Glass
 SA: Suction Accumulator
 CV: Check Valve
 RV: Rotolock Valve

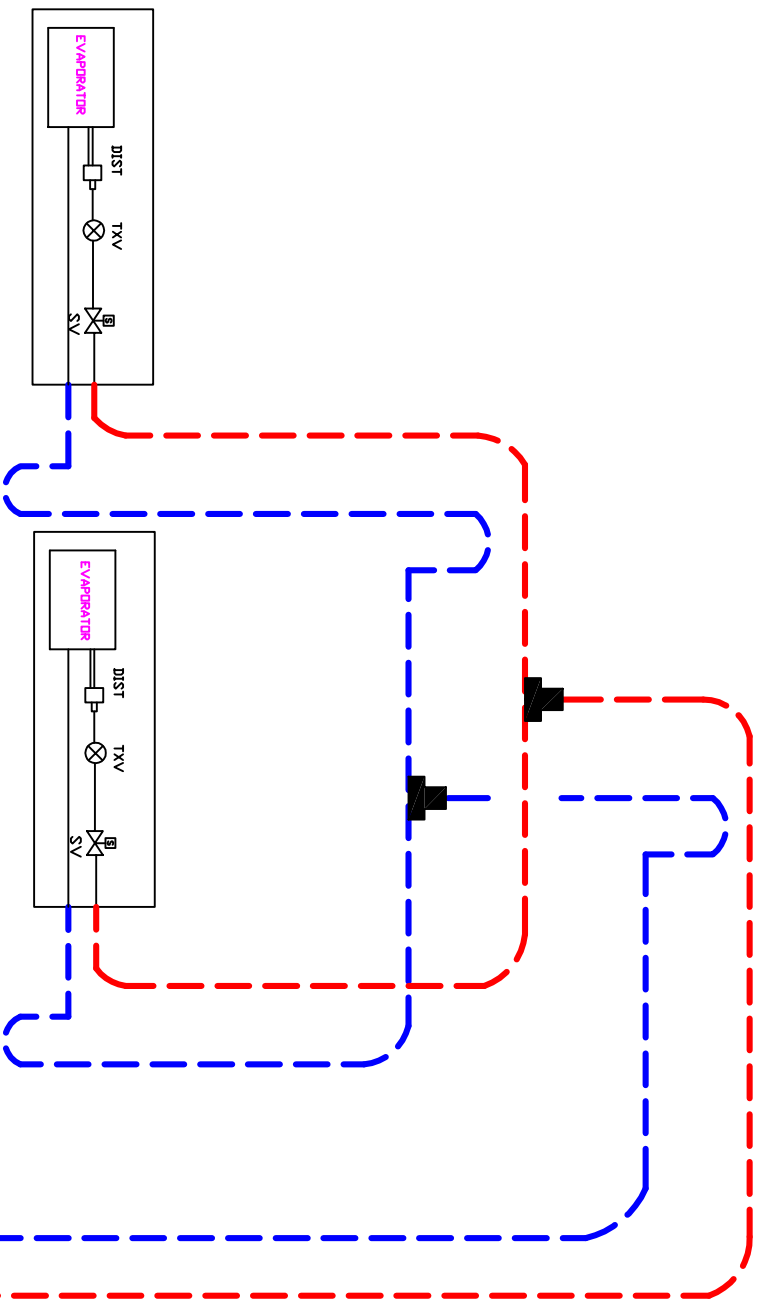
---	FIELD INSTALLATION
—	FACTORY INSTALLATION
- - -	LIQUID LINE
- - -	SUCTION LINE

FRID VERDE CONDENSING UNIT



1' WALL THICKNESS INSULATION REQUIRED FOR SUCTION LINE
 1' WALL THICKNESS INSULATION REQUIRED FOR LIQUID LINE

PIPING DIAGRAM ONE EVAPORATOR



NOTES

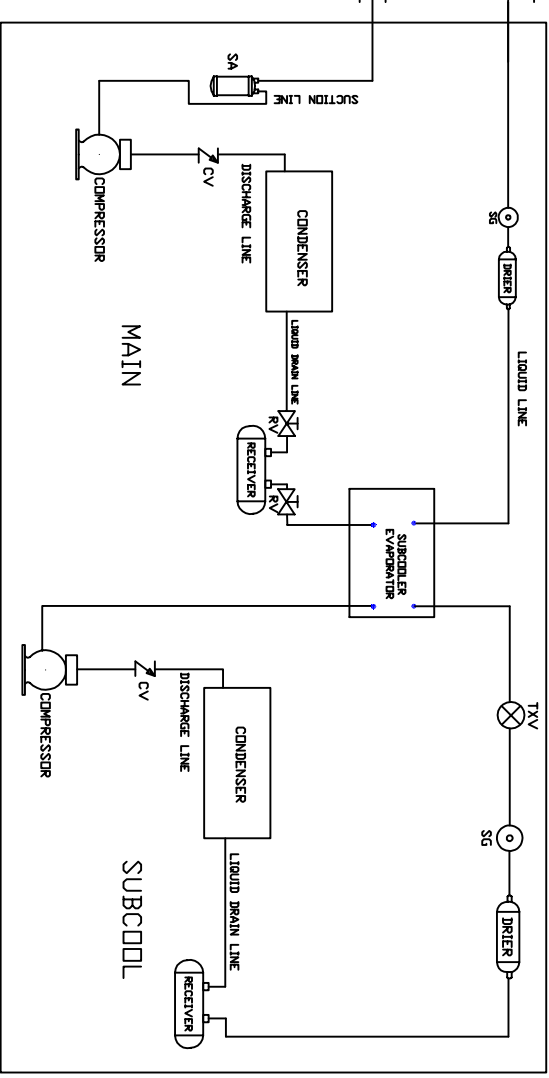
- All 90° Long Radius
- ACR Tubing
- All welding 15% Silver Solder

DRAWING LEGEND

- DIST: Distributor
- TXV: Thermostatic expansion valve
- SG: Sight Glass
- SA: Suction Accumulator
- CV: Check Valve
- RV: Rotolock Valve

---	FIELD INSTALLATION
---	FACTORY INSTALLATION
- - -	LIQUID LINE
- - -	SUCTION LINE

FRID VERDE CONDENSING UNIT

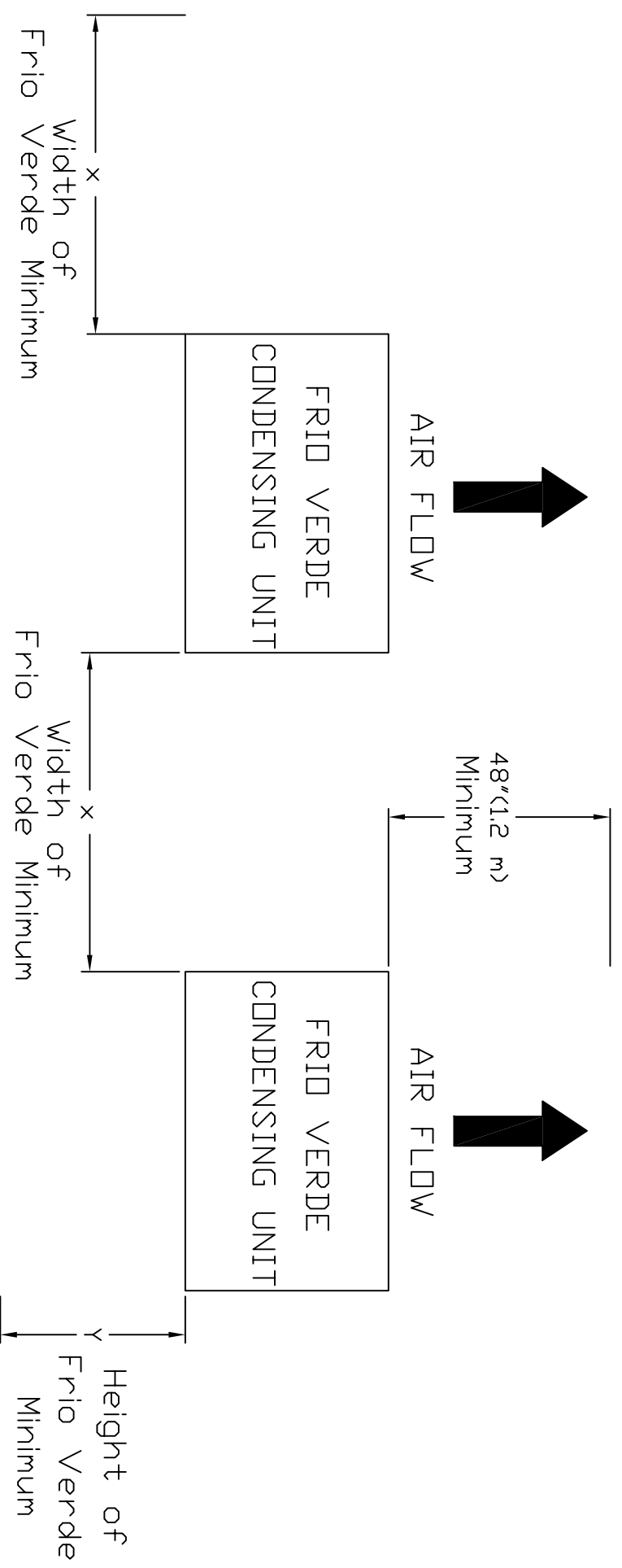


1' WALL THICKNESS INSULATION REQUIRED FOR SUCTION LINE
 1' WALL THICKNESS INSULATION REQUIRED FOR LIQUID LINE

PIPING DIAGRAM TWO EVAPORATORS

FRIO VERDE

MINIMUM CLEARANCE



NOTES:

- The Frio Verde Condensing Unit should be positioned to allow adequate space for performing service work using the guidelines shown above.
- No roof above this equipment.